

## V. STREET LIGHT SUBMITTAL SPECIFICATIONS



---

### ASSEMBLY SUBMITTAL SPEC SHEET

---

**JOB NAME:** Rogers Uptown less Full Cover  
**JOB LOCATION:** Rogers, AR  
**QUOTE NUMBER:**  
**SUBMITTAL TYPE:**

---

### CONTENTS

---

Type	Description
F	WAE3 P30 40K MVOLT MS GL3 BZ OBR TBZ PR7 AO SH COA 14 F5J 12S C03 BZ ABG ASSY29616

---

### NOTES

---



<b>Job Name:</b>	<b>Job Location:</b>	<b>Quote No:</b>	<b>Type:</b>
Rogers Uptown less Full Cover	Rogers, AR		F

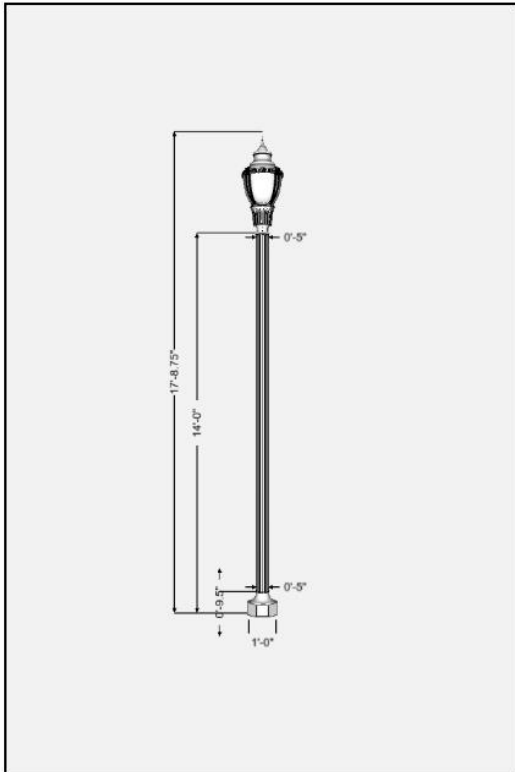
<b>Catalog Number:</b>
WAE3 P30 40K MVOLT MS GL3 BZ OBR TBZ PR7 AO SH COA 14 F5J 12S C03 BZ ABG ASSY29616



Ordering Information

Luminaire		Pole	
<p><b>Catalog Number:</b> WAE3 P30 40K MVOLT MS GL3 BZ OBR TBZ PR7 AO SH</p> <p><b>Series:</b> (WAE3) Glass Washington Postlike LED</p> <p><b>Performance Package:</b> (P30) P30 performance package</p> <p><b>Color Temperature:</b> (40K) 4000K</p> <p><b>Voltage:</b> (MVOLT) 120-277V</p> <p><b>Housing:</b> (MS) Modern style, swing open design</p> <p><b>Optics:</b> (GL3) Glass asymmetric, type III</p> <p><b>Finish:</b> (BZ) Bronze</p>	<p><b>Finial/Trim:</b> (OBR) Ornate finial, bands and ribs</p> <p><b>Trim Finish:</b> (TBZ) Bronze trim</p> <p><b>Photocontrol Receptacle:</b> (PR7) 7 pin NEMA dimmable photocontrol receptacle</p> <p><b>Adjustable Output:</b> (AO) Field adjustable lumen output</p> <p><b>Photocontrols:</b> (SH) Shorting cap</p>	<p><b>Catalog Number:</b> COA 14 F5J 12S C03 BZ ABG</p> <p><b>Series:</b> (COA) Colorado aluminum pole</p> <p><b>Pole Height:</b> (14) 14FT</p> <p><b>Shaft Style:</b> (F5J) Shaft, 5IN diameter fluted, .25 wall</p> <p><b>Base Diameter:</b> (12S) 12IN Base, Square Pattern Bolt Circle</p> <p><b>Pole Top Mounting:</b> (C03) Tenon, 3.00 O.D. x 3IN tall</p>	<p><b>Finish:</b> (BZ) Bronze</p> <p><b>Base Mounting:</b> (ABG) Anchor bolt (galvanized steel)</p>
Anchor Bolt		Anchor bolt template	
<p><b>Catalog Number:</b> AB-31-4</p> <p><b>Anchor Bolt:</b> (AB-31-4) AB-31-4</p>	<p><b>Catalog Number:</b> TMP-62</p> <p><b>Anchor Bolt Template Number:</b> (TMP-62) TMP-62</p>		

Assembly Drawing

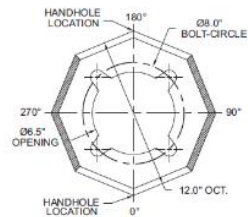


Description	Height/Width
Assembly Overall Height	17'-8.75"
Luminaire Mounting Height	14'-0"
Pole Height	14'-0"
Pole Shaft OD At Top	0'-5"
Pole Shaft OD At Bottom	0'-5"
Pole Base Height	0'-9.5"
Pole Base Width	1'-0"

Windload

Passed Wind Speed: 90 mph  
 Windload Result: 28%  
 Evaluated per: AASHTO 2013

Anchorage/Orientation Plan



Note: Door = Hand Hole

Ordering Information

Qty	Catalog Number
1	WAE3 P30 40K MVOLT MS GL3 BZ OBR TBZ PR7 AO SH
1	COA 14 F5J 12S C03 BZ
1	AB-31-4
1	TMP-62

Customer Approval Signature: \_\_\_\_\_

Date: \_\_\_\_\_



# Submittal Spec Sheet

Dynamically Generated

Series: WAE3

## WAE3

Washington Postlite® LED - Glass LED Post-top



**Product Submittal Description:**

Glass Washington Postlite LED, P30, 56W Lumens (nominal) 8,100, 4000K, 120-277V, Modern style, swing open design, Glass asymmetric, type III, Bronze, Ornate finial, bands and ribs, Bronze trim, 7 pin NEMA dimmable photocontrol receptacle, Field adjustable lumen output, Shorting cap



The product images shown are for illustration purposes only and may not be an exact representation of the product.

[↓ IES Files](#)    [↓ BIM Models](#)    [↓ Full Spec Sheet](#)

Product Webpage: [www.acuitybrands.com/products/detail/1313277](http://www.acuitybrands.com/products/detail/1313277)

Warranty: [www.acuitybrands.com/support/warranty/terms-and-conditions](http://www.acuitybrands.com/support/warranty/terms-and-conditions)

**Model #: WAE3 P30 40K MVOLT MS GL3 BZ OBR TBZ PR7 AO SH ✓**

Series*		Performance Package*		Color Temperature*		Voltage*	
WAE3	Glass Washington Postlite LED	P10	P10, 22W Lumens (nominal) 3,200	27K	2700K	HVOLT	347-480V
		P20	P20, 36W Lumens (nominal) 5,300	30K	3000K	MVOLT	120-277V
		P30	P30, 56W Lumens (nominal) 8,100	40K	4000K		
		P40	P40, 77W Lumens (nominal) 11,200	50K	5000K		
		P50	P50, 95W Lumens (nominal) 13,300				
		P60	P60, 118W Lumens (nominal) 16,200				
		P70	P70, 146W Lumens (nominal) 19,100				
Housing*		Optics*		Finish*			
EN	Enhanced style housing	GL3	Glass asymmetric, type III	BK	Black	WH	White
MS	Modern style, swing open design	GL3LU	Glass asymmetric, type III, Lunar optics	BZ	Bronze	XX	Standard finish, TBD
STS	State Street style housing	GL5	Glass symmetric, type V	CMC	Custom matched color		
		GL5LU	Glass symmetric, type V, Lunar optics	CTBS	Color to be selected		
				GH	Graphite		
				GL	Gold		
				GN	Green		
				GR	Gray		
				PP	Prime paint		
Finial/Trim*		Trim Finish*		Photocontrol Receptacle			
BBR	Bud finial, bands and ribs	TBK	Black trim	TXX	Standard finish, TBD	PR7	7 pin NEMA dimmable photocontrol receptacle
BD	Bud finial	TBZ	Bronze trim			PR7E	7 pin NEMA dimmable photocontrol external receptacle
BMB	Band, medallions and bud finial	TCMC	Custom match color trim				
BMO	Band, medallions and ornate finial	TGH	Graphite trim				
BMS	Band, medallions and spike finial	TGL	Gold trim				
OBR	Ornate finial, bands and ribs	TGN	Green trim				
OR	Ornate finial	TGR	Grey trim				
SBR	Spike finial, bands and ribs	TPP	Prime paint trim				
SK	Spike finial	TWH	White trim				



One Lithonia Way Conyers, GA 30012 • Phone: 800-705-7378 • [www.acuitybrands.com](http://www.acuitybrands.com)

© 2024 Acuity Brands Lighting, Inc. All rights reserved.

Created Date: 4/1/2024 3:00 PM

Page 1 of 2



## Submittal Spec Sheet

Dynamically Generated

Series: WAE3

Adjustable Output	Photocontrols	Cover	Prewire Leads
AO Field adjustable lumen output	P34 Solid state long life photocontrol (347V) P48 Solid state long life photocontrol (480V) PCLL DTL photocontrol SH Shorting cap	FC Full cover SHC Shorewood style cover	L03 3ft prewire leads L10 10ft prewire leads L1H 1.5ft prewire leads L20 20ft prewire leads L25 25ft prewire leads L30 30ft prewire leads
Wireless Control System	Motion Sensing	Surge Protector	Factory Programmed Driver
NLTAR2 nLight Air Gen 2 controller	RSBOR6 nLight motion sensing photocontrol	20KV 20kV/10kA surge protection	FPD75 Factory programmed to 75 percent of base wattage FPD80 Factory programmed to 80 percent of base wattage FPD85 Factory programmed to 85 percent of base wattage FPD90 Factory programmed to 90 percent of base wattage
Factory Programmed Driver (Cont...)	Label	House Side Shield Accessory (field installed)	
FPD95 Factory programmed to 95 percent of base wattage	NL1X1 1IN x 1IN NEMA label NL2X2 2IN x 2IN NEMA label	WLEDHS12 Solid House Side Shield, 120 Degree WLEDHS18 Solid House Side Shield, 180 Degree WLEDHS90 Solid House Side Shield, 90 Degree WLEDHSS12 WAUE2/STLE2/STLE2 HSS 120 degree WLEDHSS18 WAUE2/STLE2/STLE2 HSS 180 degree WLEDHSS90 WAUE2/STLE2/STLE2 HSS 90 degree	

This is a dynamic specification sheet that is based on certain selections made by the user. All results generated are for informational purposes only. The user should validate the results with its agency sales representative to determine whether the product has been configured correctly before ordering. Acuity Brands Lighting is not responsible for any loss resulting from product configuration errors.

Not all versions of the product are available with all options.

Specifications subject to change without notice.

Actual performance may differ as a result of end-user environment and application.

All values are design or typical values, measured under laboratory conditions at 25 °C.

See the full specification sheet at the product page link above for full product information and detailed ordering information.

Certain airborne contaminants can diminish the integrity of acrylic and/or polycarbonate.

Visit: <http://www.acuitybrandslighting.com/vlibrary/all/documents/specsheets/acrylic-polycarbonate-compatibility.pdf> for Acrylic-Polycarbonate Compatibility table for suitable uses.

All trademarks referenced are property of their respective owners.



One Lithonia Way Conyers, GA 30012 • Phone: 800-705-7378 • [www.acuitybrands.com](http://www.acuitybrands.com)

© 2024 Acuity Brands Lighting, Inc. All rights reserved.

Created Date: 4/1/2024 3:00 PM

Page 2 of 2



# Submittal Spec Sheet

Dynamically Generated

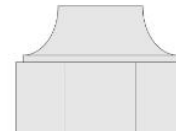
Series: COA

## COA Pole ABC

Colorado Decorative Cast Aluminum Poles

**Product Submittal Description:**

Colorado aluminum pole, 14FT, Shaft, 5IN diameter fluted, .25 wall, 12IN Base, Square Pattern Bolt Circle, Tenon, 3.00 O.D. x 3IN tall, Bronze, Anchor bolt (galvanized steel)



The product images shown are for illustration purposes only and may not be an exact representation of the product.

- [↓ IES Files](#)
- [↓ BIM Models](#)
- [↓ Full Spec Sheet](#)

Warranty: [www.acuitybrands.com/support/warranty/terms-and-conditions](http://www.acuitybrands.com/support/warranty/terms-and-conditions)

**Model #:** COA 14 F5J 12S C03 BZ ABG ✓

Series*		Pole Height*		Shaft Style*		Base Diameter*	
COA	Colorado aluminum pole	08	8FT	F4C	Shaft, 4IN diameter fluted, .125 wall	12S	12IN Base, Square Pattern Bolt Circle
		09	9FT	F4J	Shaft, 4IN diameter fluted, .25 wall		
		10	10FT	F5J	Shaft, 5IN diameter fluted, .25 wall		
		11	11FT	S4C	Shaft, 4IN diameter smooth, .125 wall		
		12	12FT	S4J	Shaft, 4IN diameter smooth, .25 wall		
		13	13FT	S5J	Shaft, 5IN diameter smooth, .25 wall		
		14	14FT	T6C	3IN to 6IN Tapered, .125 wall		
		15	15FT				
		16	16FT				
Pole Top Mounting*				Breakaway Kit		Finish*	
C03	Tenon, 3.00 O.D. x 3IN tall	G12	4 3/8 x 12 tenon	BWKT	Breakaway kit for cast aluminum pole	BK	Black
C04	Tenon, 2.88 O.D. x 4IN tall	H10	4 1/2 x 10 tenon			BZ	Bronze
C05	3 x 5 tenon	PLN	Plain pole cap			CMC	Customer matched color
C06	3 x 6 tenon	VGP	VGC plate			CTBS	Standard color to be determined
C08	3 x 8 tenon					DB	Dark blue
C09	3 x 9 tenon					GH	Graphite
C12	3 x 12 tenon					GN	Green
C14	3 x 14 tenon					GR	Gray
E08	3 1/2 x 8 tenon					PP	Prime painted
Finish* (Cont...)		Base Mounting*		Grounding			
SL	Silver	ABG	Anchor bolt (galvanized steel)	GRD	1/2 copper grounding lug		
WH	White	DBB	Direct burial base, galvanized steel				
		LAB	Less anchor bolt				





## Submittal Spec Sheet

*Dynamically Generated*

Series: COA

*This is a dynamic specification sheet that is based on certain selections made by the user. All results generated are for informational purposes only. The user should validate the results with its agency sales representative to determine whether the product has been configured correctly before ordering. Acuity Brands Lighting is not responsible for any loss resulting from product configuration errors.*

*Not all versions of the product are available with all options.*

*Specifications subject to change without notice.*

*Actual performance may differ as a result of end-user environment and application.*

*All values are design or typical values, measured under laboratory conditions at 25 °C.*

*See the full specification sheet at the product page link above for full product information and detailed ordering information.*

*Certain airborne contaminants can diminish the integrity of acrylic and/or polycarbonate.*

*Visit: <http://www.acuitybrandslighting.com/vlibrary/all/documents/specsheets/acrylic-polycarbonate-compatibility.pdf> for Acrylic-Polycarbonate Compatibility table for suitable uses.*

*All trademarks referenced are property of their respective owners.*



One Lithonia Way Conyers, GA 30012 • Phone: 800-705-7378 • [www.acuitybrands.com](http://www.acuitybrands.com)

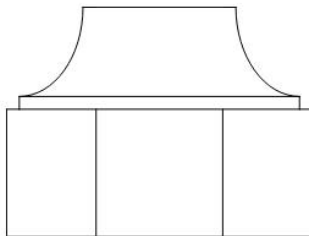
© 2024 Acuity Brands Lighting, Inc. All rights reserved.

Created Date: 4/1/2024 3:00 PM

Page 2 of 2



**COA**  
Colorado



Catalog Number	
Notes	Type

**SPECIFICATIONS**

**General Description**

The lighting post shall be all aluminum, one-piece construction, with a classic octagonal base design.

**Materials**

- The base and fluted tapered cast shaft shall be heavy wall, cast aluminum produced from certified ASTM 356.1 ingot per ASTM B-179 or ASTM B26.
- The straight shafts shall be extruded from aluminum, ASTM 6061 alloy.
- The tapered shaft shall be extruded from aluminum, ASTM 6063 alloy, spun to a tapered shape.
- All hardware shall be tamper resistant stainless steel.
- Anchor bolts to be completely hot dip galvanized.
- Utilize a polyester powder coat paint to ensure maximum durability.
- Rigorous multi-stage pre-treating and painting process yields a finish that achieves a scribe creepage rating of 8 (per ASTM D1654) after over 5,000 hours exposure to salt fog chamber (operated per ASTM B117) on standard and RAL finish options.
- RAL (RALxxxxSDCR) paint colors are Super Durable Corrosion Resistant, 80% gloss.

**Construction**

- The shaft shall be double welded to the base casting and shipped as one piece for maximum structural integrity.
- The shaft shall be welded inside the base casting at the top of the access door, and externally where the shaft exits the base.
- All welding shall be per ANSI/AWS.

**Dimensions**

- The post shall be 8' to 16' in height with a 12" octagonal base. The shaft diameter shall be 12".
- At the top of the post, an integral tenon with a transitional donut shall be provided for luminaire mounting.

**Installation**

- The post shall be provided with four, hot dip galvanized L-type anchor bolts.
- A door shall be provided in the base for anchorage and wiring access.
- A grounding screw shall be provided inside the base opposite the door.

**Warranty**

1-year limited warranty. This is the only warranty provided and no other statements in this specification sheet create any warranty of any kind. All other express and implied warranties are disclaimed. Complete warranty terms located at: [www.acuitybrands.com/support/warranty/terms-and-conditions](http://www.acuitybrands.com/support/warranty/terms-and-conditions)

**IMPORTANT INSTALLATION NOTES:**

- Do not erect poles without having fixtures installed.
- Factory-supplied templates must be used when setting anchor bolts. Acuity Brands Lighting will not accept claim for incorrect anchorage placement due to failure to use factory template.
- If poles are stored outside, all protective wrapping must be removed immediately upon delivery to prevent finish damage.
- Acuity Brands Lighting is not responsible for the foundation design.

**Note:** Actual performance may differ as a result of end-user environment and application. Specifications subject to change without notice.

**COA**  
Colorado



**ORDERING INFORMATION**

**Example:** COA 12 S4C 12S C03 BK

Post	Height	Shaft Style	Base	Tenon
COA Colorado	08 8 Feet	<u>Fluted Shaft</u>	12S 12" Base, Square Pattern Bolt Circle	C03 3X3 Tenon, (actual size 2.88 O.D. x 3" LG.)
	09 9 Feet	F4C 4" Diameter .125 Wall		C04 3X4 Tenon, (actual size 2.88 O.D. X 4" LG.)
	10 10 Feet	F4J 4" Diameter .25 Wall		C05 3X5 Tenon, (actual size 2.88 O.D. X 5" LG.)
	11 11 Feet	F5J 5" Diameter .25 Wall		C06 3X6 Tenon, (actual size 2.88 O.D. X 6" LG.)
	12 12 Feet	<u>Smooth Shaft</u>		C08 3X8 Tenon, (actual size 2.88 O.D. X 8" LG.)
	13 13 Feet	S4C 4" Diameter .125 Wall		C09 3X9 Tenon, (actual size 2.88 O.D. X 9" LG.)
	14 14 Feet	S4J 4" Diameter .25 Wall		C12 3X12 Tenon, (actual size 2.88 O.D. X 12" LG.)
	15 15 Feet	S5J 5" Diameter .25 Wall		C14 3X14 Tenon, (actual size 2.88 O.D. X 14" LG.)
	16 16 Feet	<u>Tapered Shaft</u>		E08 <sup>1</sup> 3-1/2X8 Tenon, (actual size 3.5 O.D. X 8" LG.)
				T6C 3" to 6" Diameter .125 Wall
			H10 <sup>1</sup> 4-1/2X10 Tenon, (actual size 4.5 O.D. X 10" LG.)	
			VGP <sup>1</sup> VGC Plate	
	<b>NOTE:</b> Refer to Pole Guide on page 4 for height based on Shaft Style.			<b>NOTE</b> 1 Available with F5J and S5J shaft styles only

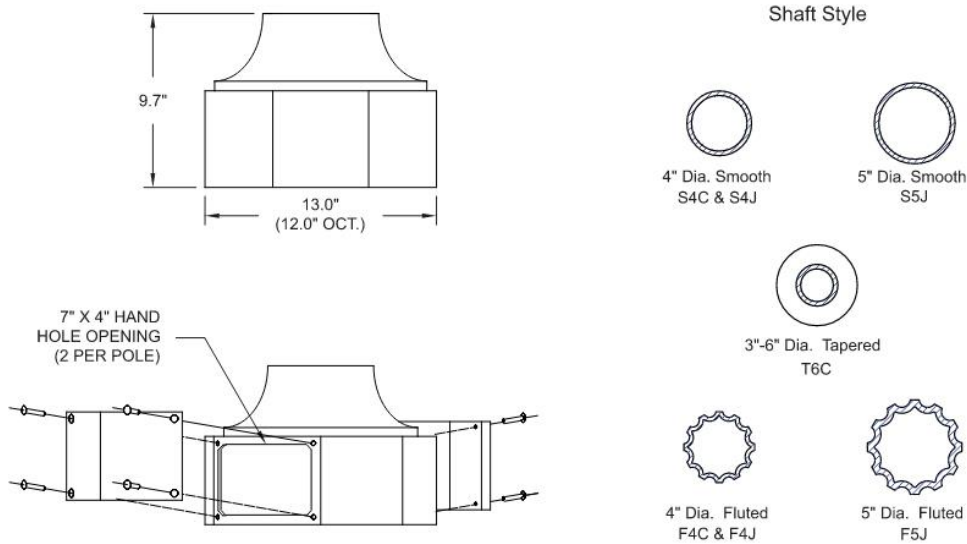
Finish	Options	Welded Provisions
BK Black	DBB Factory installed direct burial base	E000Y <sup>2</sup> Provision for eye bolt
BZ Bronze	GRD 1/2 Brass grounding lug	L000Y <sup>2</sup> Large provision. Accommodates 1.25" and 1.50" flag pole holder and accommodates 1.25" and 1.50" banner arm
CMC Customer matched color		R000Y <sup>2</sup> Receptacle Provision in shaft
CTBS Standard color to be determined		SBOR000Y <sup>2</sup> Occupancy sensor provision
DB Dark Blue		S000Y <sup>2</sup> Small provision. Accommodates .75" and 1.00" flag pole holder and accommodates .75" and 1.00" banner arm
GH Graphite		
GN Green		
GR Gray		
		<b>NOTE</b> 2 Replace "000" with height from grade (inches), can be up to 3 digits. Must use whole numbers. Leading zeros are not used. Replace Y with orientation from hand hole (A=0, B=90, C=180, D=270). Add multiple provisions as necessary to cover each location. Must validate EPA restrictions for banners.

Accessories: Order as separate catalog number.	
AB-31-4	3/4" Anchor bolt set, galvanized steel
TMP-62	Colorado 12" Base; 8" Bolt Circle

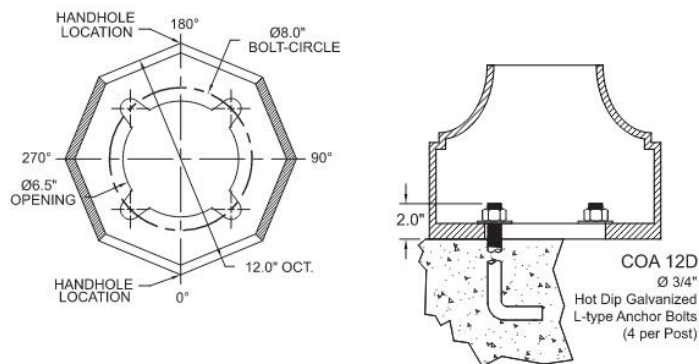
**COA**  
Colorado



**DIMENSIONAL DATA**



**ANCHORAGE GUIDE**

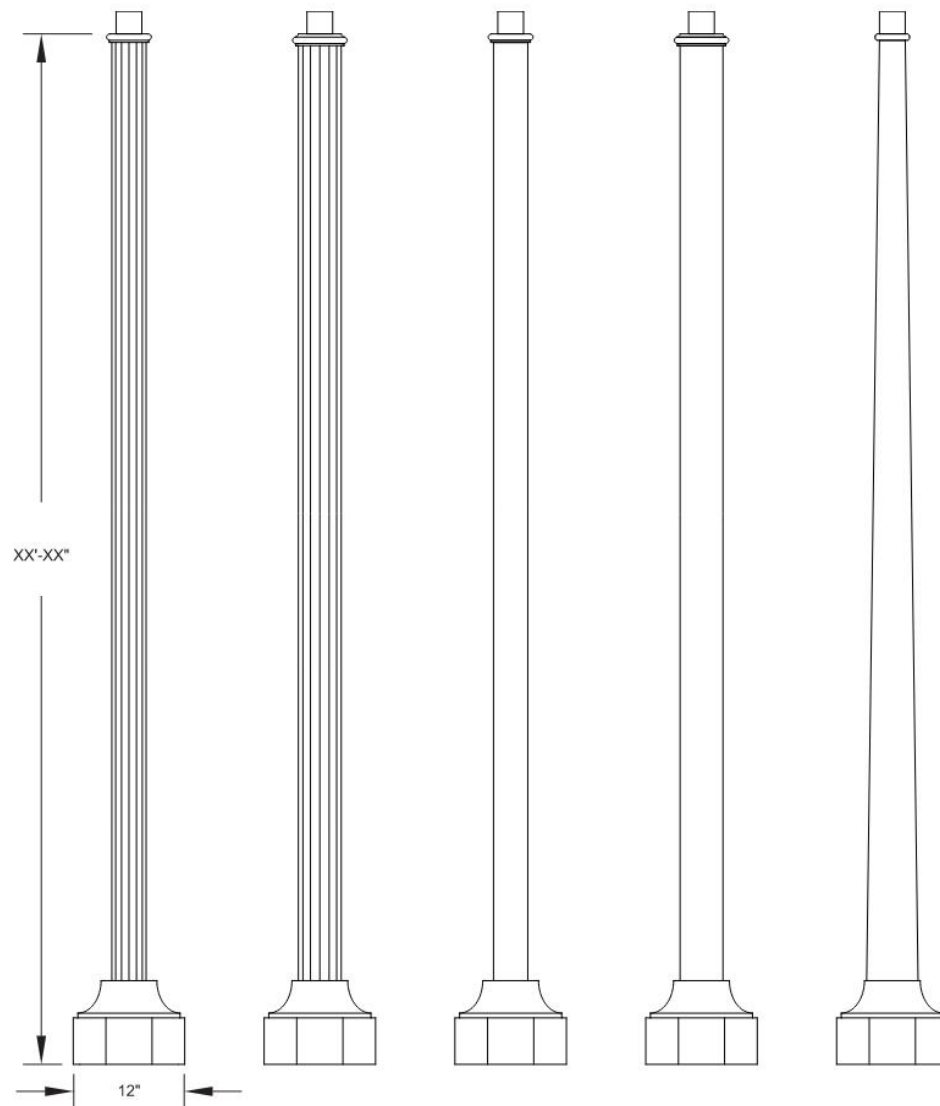


**COA**

Colorado



**POLE GUIDE**



**POLE HEIGHT RANGE** (For 12" diameter base)

F4C & F4J	F5J	S4C & S4J	SSJ	T6C
8' to 14'	10' to 16'	8' to 14'	10' to 16'	8', 10', 12' & 14' Only



**Structural Analysis**

According to the Standard Specifications for Structural Supports for Highway Signs, Luminaires and Traffic Signals, 2013 as published by the American Association of State Highway and Transportation Officials.

**Job Information**

Quote No.:  
 Project/Job Name: Rogers Uptown less Full Cover  
 Job Location: Rogers, AR  
 Dwg No:  
 Customer E-mail:  
 Wind Speed: 90  
 Gust: 102.6

**Pole Information**

Pole No.: COA 14 FSJ 12S C03 BZ ABG  
 Total Height (in): 168  
 Material: Cast Aluminum  
 Pole Base Elevation: 0  
 Pole Weight (lbs): 74.48

**Luminaire/Arm**

Description: WAE3 P30 40K MVOLT MS GL3 BZ  
 OBR TBZ PR7 AO SH/  
 EPA (sq ft): 2.26  
 Vertical Offset (in): 22  
 Weight (lbs): 65  
 Horiz. Offset (in): 0  
 Torsion Offset (in): 0

**Accessories/Banner Arms/Pole Arms**

Description:  
 EPA (sq ft): 0  
 Height Above Grade (in): 168  
 Weight (lbs): 0  
 Horiz. Offset (in): 0  
 Torsion Offset (in): 0

**Pole Shaft Data**

Shaft Type: Fluted  
 Bottom Dia. (in): 5  
 Top Dia. (in): 5  
 Length (in): 158.5  
 Wall Thickness (in): 0.23  
 Allowable Strength (psi): 13500  
 CSR: 0.28

**Anchor Bolt Data**

Bolt Diameter (in): 0.75  
 Threads Per Inch: 10  
 Stress Area (sq in): 0.33  
 Yield Strength (psi): 0  
 Material:  
 Number of Bolts: 4  
 CSR: 0.23

**Pole Base Data**

Bolt Circle Dia. (in): 8  
 Allowable Strength (psi): 5000  
 CSR: 0.27

**Results**

Base Moment (ft lbs): 1745.74  
 Horizontal Shear (lbs): 195.73  
 Axial Load (lbs): 74.48  
 Shaft: PASS  
 Base: PASS  
 Anchor Bolts: PASS  
 Joining Bolts: PASS

Engineer:  
 Date: 4/1/2024 3:00:48 PM

**DOWNTOWN**



**ASSEMBLY SUBMITTAL SPEC SHEET**

---

**JOB NAME:** Downtown  
**JOB LOCATION:** Rogers, AR  
**QUOTE NUMBER:**  
**SUBMITTAL TYPE:**

**CONTENTS**

---

Type	Description
	WAE3 P30 40K MVOLT MS GL3 BZ SBR TBZ PR7 AO SH FC HLA 14 SL4 10D C03 BZ ABG RP49/120A FGIUS BZ FGIUS BZ ASSY26543

**NOTES**

---

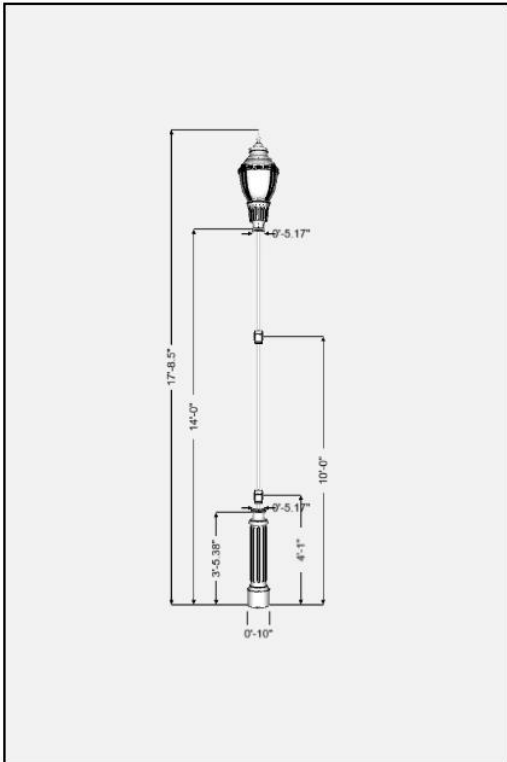


<b>Job Name:</b> Downtown	<b>Job Location:</b> Rogers, AR	<b>Quote No:</b>	<b>Type:</b>
<b>Catalog Number:</b> WAE3 P30 40K MVOLT MS GL3 BZ SBR TBZ PR7 AO SH FC HLA 14 SL4 10D C03 BZ ABG RP49/120A FGIUS BZ FGIUS BZ ASSY26543			



Ordering Information			
<b>Luminaire</b>		<b>Pole</b>	
<p><b>Catalog Number:</b> WAE3 P30 40K MVOLT MS GL3 BZ SBR TBZ PR7 AO SH FC</p> <p><b>Series:</b> (WAE3) Glass Washington Postlife LED</p> <p><b>Performance Package:</b> (P30) P30 performance package</p> <p><b>Color Temperature:</b> (40K) 4000K</p> <p><b>Voltage:</b> (MVOLT) 120-277V</p> <p><b>Housing:</b> (MS) Modern style, swing open design</p> <p><b>Optics:</b> (GL3) Glass asymmetric, type III</p> <p><b>Finish:</b> (BZ) Bronze</p>	<p><b>Finial/Trim:</b> (SBR) Spike finial, bands and ribs</p> <p><b>Trim Finish:</b> (TBZ) Bronze trim</p> <p><b>Photocontrol Receptacle:</b> (PR7) 7 pin NEMA dimmable photocontrol receptacle</p> <p><b>Adjustable Output:</b> (AO) Field adjustable lumen output</p> <p><b>Photocontrols:</b> (SH) Shorting cap</p> <p><b>Cover:</b> (FC) Full cover</p>	<p><b>Catalog Number:</b> HLA 14 SL4 10D C03 BZ ABG RP49/120A</p> <p><b>Series:</b> (HLA) Hamilton aluminum pole</p> <p><b>Pole Height:</b> (14) 14FT</p> <p><b>Shaft Style:</b> (SL4) Shaft, Stelink 4.50IN fluted, .156 wall (L4E)</p> <p><b>Base Diameter:</b> (10D) 10IN Base, Diamond Pattern Bolt Circle</p>	<p><b>Pole Top Mounting:</b> (C03) Tenon, 3.00 O.D. x 3IN tall</p> <p><b>Finish:</b> (BZ) Bronze</p> <p><b>Base Mounting:</b> (ABG) Anchor bolt (galvanized steel)</p> <p><b>Receptacle Provision Location A:</b> (RP49/120A) Duplex receptacle provision</p>
<b>Accessories</b>	<b>Accessories</b>	<b>Anchor Bolt</b>	<b>Anchor bolt template</b>
<p><b>Catalog Number:</b> FGIUS BZ</p> <p><b>Weatherproof Receptacle:</b> (FGIUS) Receptacle with small, in-use wet location cover</p> <p><b>Finish:</b> (BZ) Bronze</p>	<p><b>Catalog Number:</b> FGIUS BZ</p> <p><b>Weatherproof Receptacle:</b> (FGIUS) Receptacle with small, in-use wet location cover</p> <p><b>Finish:</b> (BZ) Bronze</p>	<p><b>Catalog Number:</b> AB-31-4</p> <p><b>Anchor Bolt:</b> (AB-31-4) AB-31-4</p>	<p><b>Catalog Number:</b> TMP-58</p> <p><b>Anchor Bolt Template Number:</b> (TMP-58) TMP-58</p>

Assembly Drawing

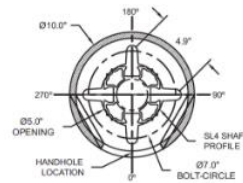


Description	Height/Width
Assembly Overall Height	17'-8.5"
Luminaire Mounting Height	14'-0"
Pole Height	14'-0"
FGIUS Height	4'-1"
FGIUS Height	10'-0"
Pole Shaft OD At Top	0'-5.17"
Pole Shaft OD At Bottom	0'-5.17"
Pole Base Height	3'-5.38"
Pole Base Width	0'-10"

Windload

Passed Wind Speed: 90 mph      Equiv. Pole Top EPA : 2.26 sq ft  
 Windload Result: 28%              Current Loading Weight: 65 lbs  
 Evaluated per: AASHTO 2013      Add'l Equiv. Pole Top EPA: 15 sq ft  
    Add'l Loading Capacity: 375 lbs

Anchorage/Orientation Plan



Note: Door = Hand Hole

Ordering Information

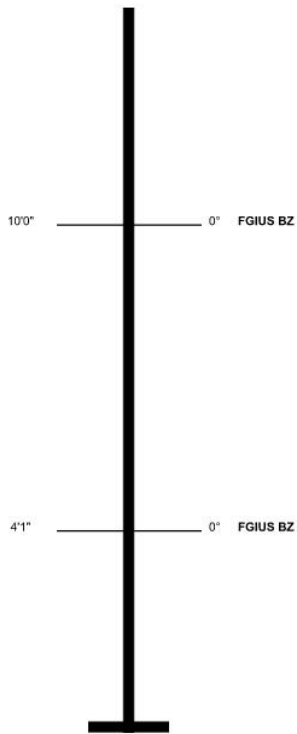
Qty	Catalog Number
21	WAE3 P30 40K MVOLT MS GL3 BZ SBR TBZ PR7 AO SH FC
21	HLA 14 SL4 10D C03 BZ RP49/120A
21	AB-31-4
1	TMP-58
21	FGIUS BZ
21	FGIUS BZ

Customer Approval Signature: \_\_\_\_\_

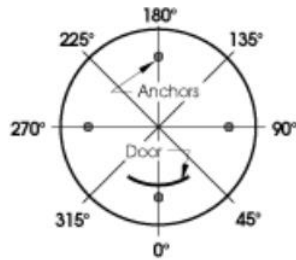
Date: \_\_\_\_\_

Orientation Drawing

Pole	Pole Height
HLA 14 SL4 10D C03 BZ ABG RP49/120A	14'-0"



Anchorage/Orientation Plan



Note: Door = Hand Hole

The hand hole is located at zero (0) degrees. Height from the bottom of base / anchor plate.

Accessory	Orientation	Height
FGIUS BZ	0	49
FGIUS BZ	0	120

Customer Approval Signature: \_\_\_\_\_

Date: \_\_\_\_\_



# Submittal Spec Sheet

Dynamically Generated

Series: WAE3

## WAE3

Washington Postlite® LED - Glass LED Post-top



**Product Submittal Description:**

Glass Washington Postlite LED, P30, 56W Lumens (nominal) 8,100, 4000K, 120-277V, Modern style, swing open design, Glass asymmetric, type III, Bronze, Spike finial, bands and ribs, Bronze trim, 7 pin NEMA dimmable photocontrol receptacle, Field adjustable lumen output, Shorting cap, Full cover



The product images shown are for illustration purposes only and may not be an exact representation of the product.

[IES Files](#)   [BIM Models](#)   [Full Spec Sheet](#)

Product Webpage: [www.acuitybrands.com/products/detail/1313277](http://www.acuitybrands.com/products/detail/1313277)

Warranty: [www.acuitybrands.com/support/warranty/terms-and-conditions](http://www.acuitybrands.com/support/warranty/terms-and-conditions)

Model #: **WAE3 P30 40K MVOLT MS GL3 BZ SBR TBZ PR7 AO SH FC** ✓

Series*		Performance Package*		Color Temperature*		Voltage*	
WAE3	Glass Washington Postlite LED	P10	P10, 22W Lumens (nominal) 3,200	27K	2700K	HVOLT	347-480V
		P20	P20, 36W Lumens (nominal) 5,300	30K	3000K	MVOLT	120-277V
		P30	P30, 56W Lumens (nominal) 8,100	40K	4000K		
		P40	P40, 77W Lumens (nominal) 11,200	50K	5000K		
		P50	P50, 99W Lumens (nominal) 13,300				
		P60	P60, 118W Lumens (nominal) 16,200				
		P70	P70, 146W Lumens (nominal) 19,100				
Housing*		Optics*		Finish*			
EN	Enhanced style housing	GL3	Glass asymmetric, type III	BK	Black	WH	White
MS	Modern style, swing open design	GL3LU	Glass asymmetric, type III, Lunar optics	BZ	Bronze	XX	Standard finish, TBD
STS	State Street style housing	GL5	Glass symmetric, type V	CMC	Custom matched color		
		GL5LU	Glass symmetric, type V, Lunar optics	CTBS	Color to be selected		
				GH	Graphite		
				GL	Gold		
				GN	Green		
				GR	Gray		
				PP	Prime paint		
Finial/Trim*		Trim Finish*		TXX		Standard finish, TBD	
BBR	Bud finial, bands and ribs	TBK	Black trim			PR7	7 pin NEMA dimmable photocontrol receptacle
BD	Bud finial	TBZ	Bronze trim			PR7E	7 pin NEMA dimmable photocontrol external receptacle
BMB	Band, medallions and bud finial	TCMC	Custom match color trim				
BMO	Band, medallions and ornate finial	TGH	Graphite trim				
BMS	Band, medallions and spike finial	TGL	Gold trim				
OBR	Ornate finial, bands and ribs	TGN	Green trim				
OR	Ornate finial	TGR	Grey trim				
SBR	Spike finial, bands and ribs	TPP	Prime paint trim				
SK	Spike finial	TWH	White trim				



One Lithonia Way Conyers, GA 30012 • Phone: 800-705-7378 • www.acuitybrands.com  
 © 2024 Acuity Brands Lighting, Inc. All rights reserved.

Created Date: 1/10/2024 12:42 PM

Page 1 of 2



## Submittal Spec Sheet

*Dynamically Generated*

Series: WAE3

Adjustable Output	Photocontrols	Cover	Prewire Leads
<b>AO</b> Field adjustable lumen output	P34 Solid state long life photocontrol (347V)  P48 Solid state long life photocontrol (480V)  PCLL DTL photocontrol <b>SH</b> Shorting cap	<b>FC</b> Full cover SHC Shorewood style cover	L03 3ft prewire leads L10 10ft prewire leads L1H 1.5ft prewire leads L20 20ft prewire leads L25 25ft prewire leads L30 30ft prewire leads
Wireless Control System	Motion Sensing	Surge Protector	Factory Programmed Driver
<b>NLTAIR2</b> nLight Air Gen 2 controller	<b>RSBOR6</b> nLight motion sensing photocontrol	20KV 20KV/10kA surge protection	FPD75 Factory programmed to 75 percent of base wattage  FPD80 Factory programmed to 80 percent of base wattage  FPD85 Factory programmed to 85 percent of base wattage  FPD90 Factory programmed to 90 percent of base wattage
Factory Programmed Driver (Cont...)	Label	House Side Shield Accessory (field installed)	
<b>FPD95</b> Factory programmed to 95 percent of base wattage	NL1X1 1IN x 1IN NEMA label NL2X2 2IN x 2IN NEMA label	WLEDHS12 Solid House Side Shield, 120 Degree WLEDHS18 Solid House Side Shield, 180 Degree WLEDHS90 Solid House Side Shield, 90 Degree WLEDHSS12 WAUE2/STLE2/STLE2 HSS 120 degree WLEDHSS18 WAUE2/STLE2/STLE2 HSS 180 degree WLEDHSS90 WAUE2/STLE2/STLE2 HSS 90 degree	

*This is a dynamic specification sheet that is based on certain selections made by the user. All results generated are for informational purposes only. The user should validate the results with its agency sales representative to determine whether the product has been configured correctly before ordering. Acuity Brands Lighting is not responsible for any loss resulting from product configuration errors.*

*Not all versions of the product are available with all options.*

*Specifications subject to change without notice.*

*Actual performance may differ as a result of end-user environment and application.*

*All values are design or typical values, measured under laboratory conditions at 25 °C.*

*See the full specification sheet at the product page link above for full product information and detailed ordering information.*

*Certain airborne contaminants can diminish the integrity of acrylic and/or polycarbonate.*

*Visit: <http://www.acuitybrandslighting.com/library/all/documents/specsheets/acrylic-polycarbonate-compatibility.pdf> for Acrylic-Polycarbonate Compatibility table for suitable uses.*

*All trademarks referenced are property of their respective owners.*



One Lithonia Way Conyers, GA 30012 • Phone: 800-705-7378 • [www.acuitybrands.com](http://www.acuitybrands.com)

© 2024 Acuity Brands Lighting, Inc. All rights reserved.

Created Date: 1/10/2024 12:42 PM

Page 2 of 2



# Submittal Spec Sheet

Dynamically Generated

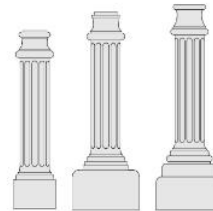
Series: HLA

## HLA HLC Pole ABC

Hamilton Decorative Cast Aluminum and Cast Iron Poles

**Product Submittal Description:**

Hamilton aluminum pole, 14FT, Shaft, Sitelink 4.50IN fluted, .156 wall (L4E), 10IN Base, Diamond Pattern Bolt Circle, Tenon, 3.00 O.D. x 3IN tall, Bronze, Anchor bolt (galvanized steel)



The product images shown are for illustration purposes only and may not be an exact representation of the product.

[↓ IES Files](#)   [↓ BIM Models](#)   [↓ Full Spec Sheet](#)

Warranty: [www.acuitybrands.com/support/warranty/terms-and-conditions](http://www.acuitybrands.com/support/warranty/terms-and-conditions)

**Model #:** HLA 14 SL4 10D C03 BZ ABG RP49/120A ✓

Series*		Pole Height*				Shaft Style*	
HLA	Hamilton aluminum pole	08	8FT	17	17FT	F4C	Shaft, 4IN diameter fluted, .125 wall
		09	9FT	18	18FT	F4J	Shaft, 4IN diameter fluted, .25 wall
		10	10FT			F5J	Shaft, 5IN diameter fluted, .25 wall
		11	11FT			FTJ	Fluted tapered, .25 wall thickness
		12	12FT			S4C	Shaft, 4IN diameter smooth, .125 wall
		13	13FT			S4J	Shaft, 4IN diameter smooth, .25 wall
		14	14FT			SSJ	Shaft, 5IN diameter smooth, .25 wall
		15	15FT			SL4	Shaft, Sitelink 4.50IN fluted, .156 wall (L4E)
		16	16FT				
Shaft Style* (Cont...)		Base Diameter*		Pole Top Mounting*			
T4C	Shaft, 3IN to 4IN Tapered, .125 wall	10D	10IN Base, Diamond Pattern Bolt Circle	C03	Tenon, 3.00 O.D. x 3IN tall	G12	4 3/8 x 12 tenon
T5C	Shaft, 3IN to 5IN Tapered, .125 wall	16D	16IN Base, Diamond Pattern Bolt Circle	C04	Tenon, 2.88 O.D. x 4IN tall	H10	4 1/2 x 10 tenon
				C05	3 x 5 tenon	PLN	Plain pole cap
				C06	3 x 6 tenon	VGP	VGC plate
				C08	3 x 8 tenon		
				C09	3 x 9 tenon		
				C12	3 x 12 tenon		
				C14	3 x 14 tenon		
				E08	3 1/2 x 8 tenon		
Breakaway Kit		Finish*				Base Mounting*	
BWKT	Breakaway kit for cast aluminum pole	BK	Black	SL	Silver	ABG	Anchor bolt (galvanized steel)
		BZ	Bronze	WH	White	DBB	Direct burial base, galvanized steel
		CMC	Customer matched color			LAB	Less anchor bolt
		DDB	Dark bronze				
		GH	Graphite				
		GN	Green				
		GR	Gray				
		PP	Prime painted				
RAL	RAL color						



One Lithonia Way Conyers, GA 30012 • Phone: 800-705-7378 • www.acuitybrands.com  
 © 2024 Acuity Brands Lighting, Inc. All rights reserved.

Created Date: 1/10/2024 12:42 PM

Page 1 of 2



## Submittal Spec Sheet

*Dynamically Generated*

Series: HLA

Grounding	
GRD	1/2 copper grounding lug

*This is a dynamic specification sheet that is based on certain selections made by the user. All results generated are for informational purposes only. The user should validate the results with its agency sales representative to determine whether the product has been configured correctly before ordering. Acuity Brands Lighting is not responsible for any loss resulting from product configuration errors.*

*Not all versions of the product are available with all options.*

*Specifications subject to change without notice.*

*Actual performance may differ as a result of end-user environment and application.*

*All values are design or typical values, measured under laboratory conditions at 25 °C.*

*See the full specification sheet at the product page link above for full product information and detailed ordering information.*

*Certain airborne contaminants can diminish the integrity of acrylic and/or polycarbonate.*

*Visit: <http://www.acuitybrandslighting.com/library/ll/documents/specsheets/acrylic-polycarbonate-compatibility.pdf> for Acrylic-Polycarbonate Compatibility table for suitable uses.*

*All trademarks referenced are property of their respective owners.*



One Lithonia Way Conyers, GA 30012 • Phone: 800-705-7378 • [www.acuitybrands.com](http://www.acuitybrands.com)

© 2024 Acuity Brands Lighting, Inc. All rights reserved.

Created Date: 1/10/2024 12:42 PM

Page 2 of 2



# Submittal Spec Sheet

Dynamically Generated

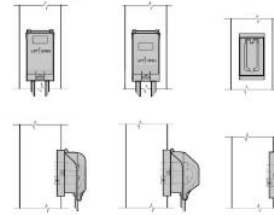
Series: FGIUS

## FGIUS Electrical Receptacle

Receptacle with small, In-Use Wet Location Cover (FGIUS)

**Product Submittal Description:**

Receptacle with small, in-use wet location cover, Bronze



The product images shown are for illustration purposes only and may not be an exact representation of the product.

- [↓ IES Files](#)
- [↓ BIM Models](#)
- [↓ Full Spec Sheet](#)

Warranty: [www.acuitybrands.com/support/warranty/terms-and-conditions](http://www.acuitybrands.com/support/warranty/terms-and-conditions)

Model #: **FGIUS BZ** ✓

Weatherproof Receptacle*		Finish*			
FGIUS	Receptacle with small, in-use wet location cover	BK	Black	PP	Prime painted
		BZ	Bronze	SL	Silver
		CMC	Customer matched color	WH	White
		CTBS	Standard color to be determined		
		DB	Dark blue		
		DG	Dark green		
		GH	Graphite		
		GN	Green		
		GR	Gray		

*This is a dynamic specification sheet that is based on certain selections made by the user. All results generated are for informational purposes only. The user should validate the results with its agency sales representative to determine whether the product has been configured correctly before ordering. Acuity Brands Lighting is not responsible for any loss resulting from product configuration errors.*

*Not all versions of the product are available with all options.*

*Specifications subject to change without notice.*

*Actual performance may differ as a result of end-user environment and application.*

*All values are design or typical values, measured under laboratory conditions at 25 °C.*

*See the full specification sheet at the product page link above for full product information and detailed ordering information.*

*Certain airborne contaminants can diminish the integrity of acrylic and/or polycarbonate.*

*Visit: <http://www.acuitybrandslighting.com/library/ll/documents/specsheets/acrylic-polycarbonate-compatibility.pdf> for Acrylic-Polycarbonate Compatibility table for suitable uses.*

*All trademarks referenced are property of their respective owners.*



One Lithonia Way Conyers, GA 30012 • Phone: 800-705-7378 • [www.acuitybrands.com](http://www.acuitybrands.com)  
 © 2024 Acuity Brands Lighting, Inc. All rights reserved.

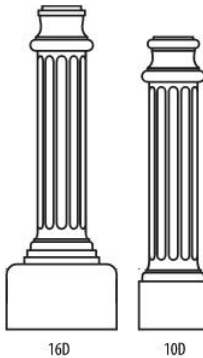
Created Date: 1/10/2024 12:42 PM

Page 1 of 1



Catalog Number	
Notes	Type

**HLA**  
Hamilton Aluminum Pole



**SPECIFICATIONS**

**General Description**

The lighting post shall be all aluminum, one-piece construction, with a classic tapered and fluted base design.

**Materials**

- The base shaft shall be heavy wall, cast aluminum produced from certified ASTM 356.1 ingot per ASTM B-179 or ASTM B26.
- The straight shafts shall be extruded from aluminum, ASTM 6061 alloy.
- The tapered shaft shall be extruded from aluminum, ASTM 6063 alloy, spun to a tapered shape.
- All hardware shall be tamper resistant stainless steel
- Anchor bolts to be completely hot dip galvanized
- Utilize a polyester powder coat paint to ensure maximum durability.
- Rigorous multi-stage pre-treating and painting process yields a finish that achieves a scribe creepage rating of 8 (per ASTM D1654) after over 5,000 hours exposure to salt fog chamber (operated per ASTM B117) on standard and RAL finish options.
- RAL (RALxxxxSDCR) paint colors are Super Durable Corrosion Resistant, 80% gloss.

**Construction**

- The shaft shall be double welded to the base casting and shipped as one piece for maximum structural integrity.
- The shaft shall be welded inside the base casting above the top of the access door, and externally where the shaft exits the base.
- All welding shall be per ANSI/AWS.

**Dimensions**

- The post height shall range from 8' to 18' with a 10" or 16" diameter base.
- At the top of the post, an integral tenon with a transitional donut shall be provided for luminaire mounting.

**Installation**

- The post shall be provided with four, hot dip galvanized L-type anchor bolts.
- A door shall be provided in the base for anchorage and wiring access.
- A grounding screw shall be provided inside the base opposite the door.

**Warranty**

1-year limited warranty. This is the only warranty provided and no other statements in this specification sheet create any warranty of any kind. All other express and implied warranties are disclaimed. Complete warranty terms located at: [www.acuitybrands.com/support/warranty/terms-and-conditions](http://www.acuitybrands.com/support/warranty/terms-and-conditions)

**IMPORTANT INSTALLATION NOTES:**

- **Do not** erect poles without having fixtures installed.
- Factory-supplied templates must be used when setting anchor bolts. Acuity Brands Lighting will not accept claim for incorrect anchorage placement due to failure to use factory template.
- If poles are stored outside, all protective wrapping must be removed immediately upon delivery to prevent finish damage.
- Acuity Brands Lighting is not responsible for the foundation design.

**Note:** Actual performance may differ as a result of end-user environment and application. Specifications subject to change without notice.

**HLA**

Hamilton Aluminum Pole



**ORDERING INFORMATION**

**Example:** HLA 14 F4C 10D C03 BK

Post	Height	Shaft Style	Base	Tenon
HLA Hamilton Aluminum	08 8'	<b>Fluted Shaft</b>	10D 10" Base, Diamond Pattern Bolt Circle	C03 3X3 Tenon, (actual size 2.88 O.D. x 3" LG.)
	10 10'	FTJ Tapered (cast), .25 wall	16D 16" Base, Diamond Pattern Bolt Circle	C04 3X4 Tenon, (actual size 2.88 O.D. x 4" LG.)
	12 12'	F4C 4" diameter, .125 wall		C05 3X5 Tenon, (actual size 2.88 O.D. x 5" LG.)
	14 14'	F4J 4" diameter, .25 wall		C06 3X6 Tenon, (actual size 2.88 O.D. x 6" LG.)
	16 16'	F5J 5" diameter, .25 wall		C08 3X8 Tenon, (actual size 2.88 O.D. x 8" LG.)
	18 18'	<b>SiteLink Shaft</b>		C09 3X9 Tenon, (actual size 2.88 O.D. x 9" LG.)
		SL4 4.5" Fluted, .156 wall		C12 3X12 Tenon, (actual size 2.88 O.D. X 12" LG.)
	<b>Smooth Shaft</b>		C14 3X14 Tenon, (actual size 2.88 O.D. X 14" LG.)	
	S4C 4" diameter, .125 wall		E08 <sup>1</sup> 3-1/2X8 Tenon, (actual size 3.5 O.D. X 8" LG.)	
	S4J 4" diameter, .25 wall		G12 <sup>1</sup> 4-3/8X12 Tenon, (actual size 4.38 O.D. X 12" LG.)	
	SSJ 5" diameter, .25 wall		H10 <sup>1</sup> 4-1/2X10 Tenon, (actual size 4.5 O.D. X 10" LG.)	
	<b>Tapered Shaft</b>		PLN <sup>2</sup> Plain pole cap - no tenon	
	T4C 3 inch to 4 inch, .125 wall		VGP <sup>1</sup> VGC Plate	
	T5C 3 inch to 5 inch, .125 wall			

**NOTE**  
Refer to Pole Guide on page 5 for height based on Shaft Style

**NOTE**  
1 Available with F5J and SSJ shaft styles only.  
2 Not available with FTJ, T4C or T5C shaft styles.

Finish	Options	Welded Provisions	Accessories: Order as separate catalog number.
BK Black	DBB Direct Burial Base Galvanized Steel (10" Base = ADBB1R1) (16" Base = ADBB1R4)	E <sup>XXXXY</sup> <sup>3</sup> Provision for eye bolt	AB-31-4 3/4" Anchor bolt set, galvanized steel
BD Dark blue		L <sup>XXXXY</sup> <sup>3</sup> Large provision	ADBB1R1 10" Galvanized Steel Direct Burial Base
BZ Bronze	GRD 1/2 Brass Grounding Lug	R <sup>XXXXY</sup> <sup>3</sup> Receptacle provision	ADBB1R4 16" Galvanized Steel Direct Burial Base
GH Graphite		S <sup>XXXXY</sup> <sup>3</sup> Small provision	TMP-58 7" bolt circle (for 10D Base Option)
GN Green		SBOR <sup>XXXXY</sup> <sup>3</sup> Occupancy sensor provision, Occupancy sensor sold separately.	TMP-81 11" bolt circle (for 16D Base Option)
GR Gray			BWKT 1000R 0700BC 075AB 10" Breakaway Kit, .75" Anchor bolts
PP Prime Painted			BWKT 1600R 1100BC 075AB 16" Breakaway Kit, .75" Anchor bolts
SL Silver			TRANSPO-SPM4075XL Transpo Couplings for BWKT 1000R 0700BC 075AB
WH White			
CMC Customer matching color			
CTBS Standard color to be selected			
RALxxxxSDCR RAL Super Durable Corrosion Resistant, 80% Gloss Paint, replace xxxx with RAL number.			

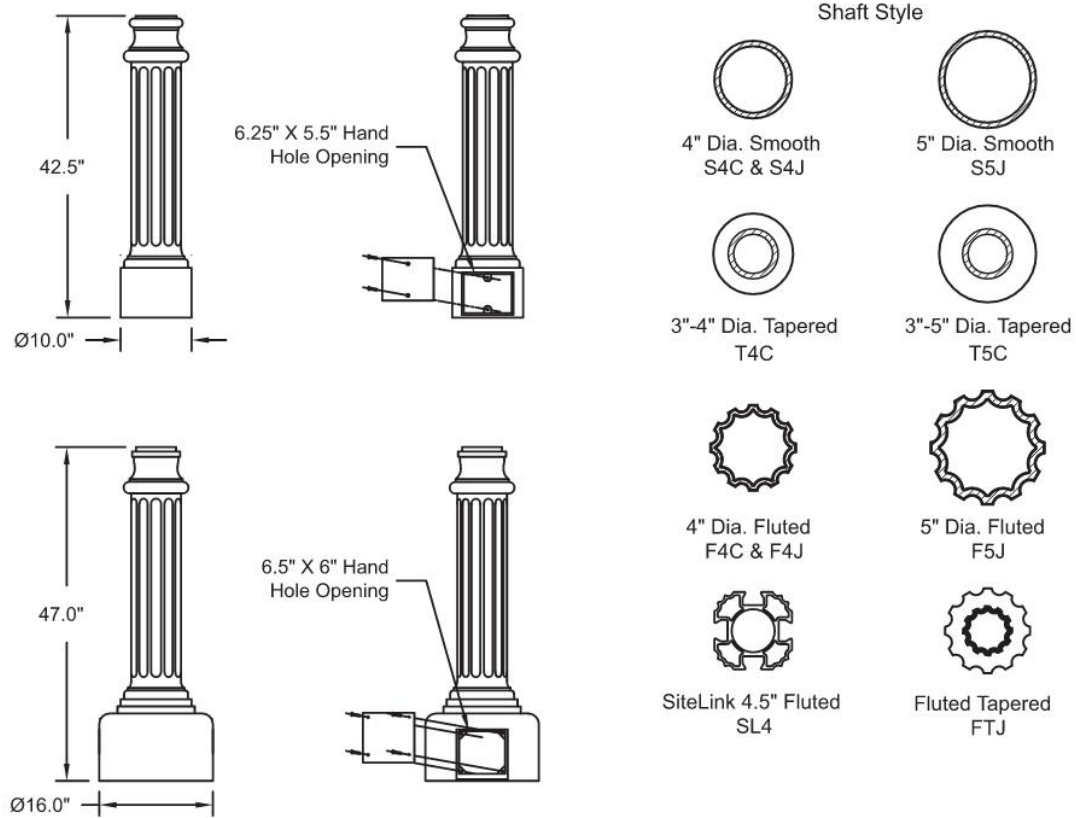
**NOTE**  
3 Replace "XXXX" with height from grade (inches), can be up to 3 digits. Must use whole numbers. Leading zeros are not used. Replace Y with orientation from hand hole (A=0, B=90, C=180, D=270). Add multiple provisions as necessary to cover each location. Must validate EPA restrictions for banners.

**HLA**

Hamilton Aluminum Pole



**DIMENSIONAL DATA**

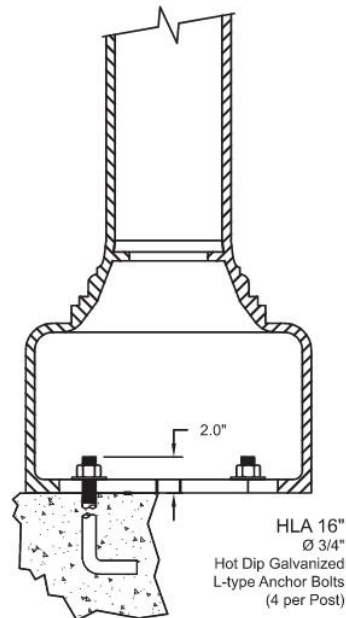
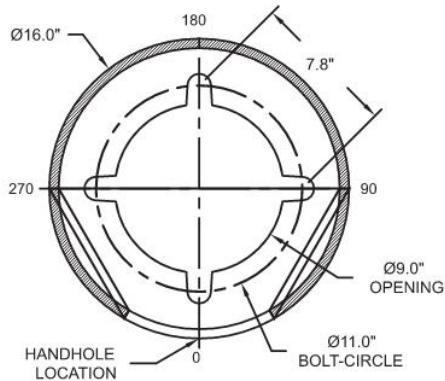
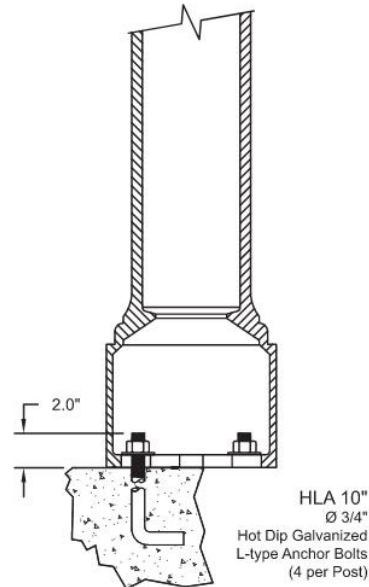
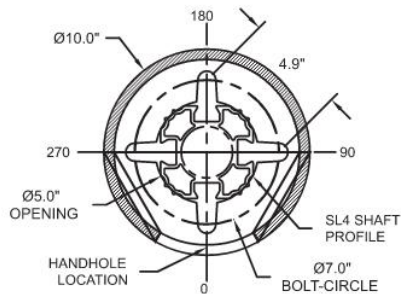
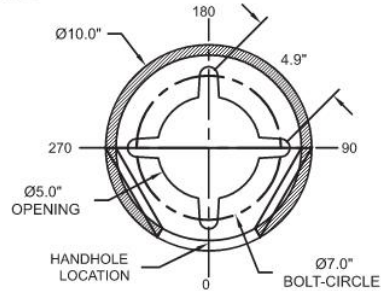


**HLA**

Hamilton Aluminum Pole



**ANCHORAGE GUIDE**

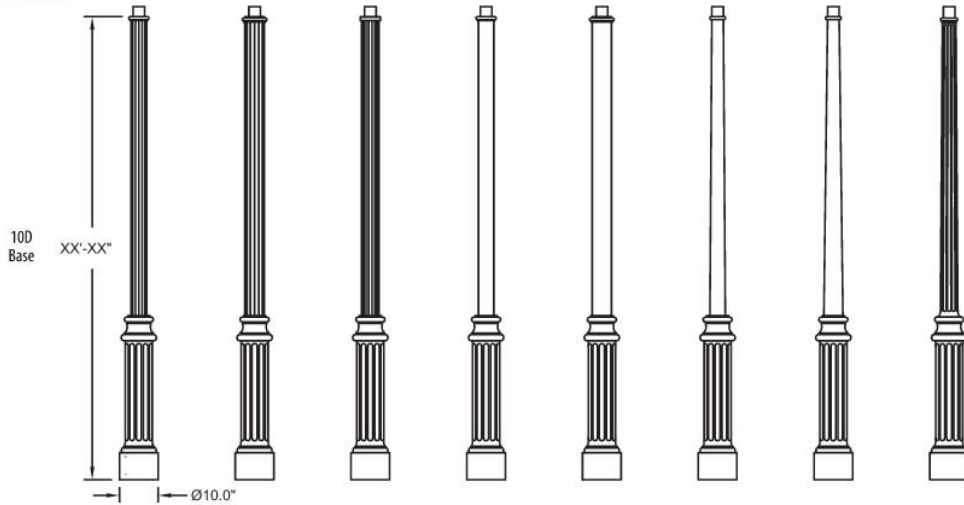


**HLA**

Hamilton Aluminum Pole

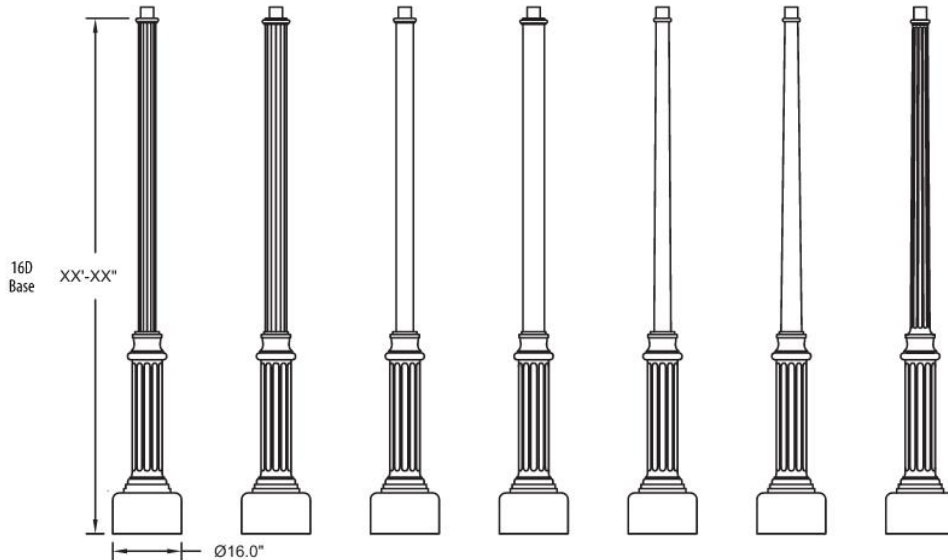


**POLE GUIDE**



**POLE HEIGHT RANGE (For 10.0" diameter base)**

F4C & F4J	F5J	SL4	S4C & S4J	S5J	T4C	T5C	FTJ
8' to 14' Only	10' to 16' Only	8' to 18'	10' to 14' Only	10' to 16' Only	8' to 14' Only	10' to 16' Only	8', 10' & 12'



**POLE HEIGHT RANGE (For 16.0" diameter base)**

F4C & F4J	F5J	S4C & S4J	S5J	T4C	T5C	FTJ
8' to 14' Only	10' to 16' Only	10' to 14' Only	10' to 16' Only	8' to 14' Only	10' to 16' Only	8', 10' & 12'



## WEATHERPROOF RECEPTACLES

External and Internal, Post Shaft Location

Catalog Number		
Notes		Type

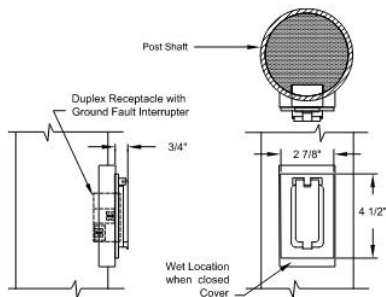
External receptacles are typically installed above pedestrian level for special event uses and decorative seasonal lighting.

- Ground Fault Circuit Interrupter Receptacles.
- Test/Reset buttons on face of receptacles.
- All Cast Aluminum Covers utilize a polyester powder coat paint to ensure maximum durability and yields a finish that achieves a scribe creepage rating of 8 (per ASTM D1654) after over 5000 hours exposure to salt fog chamber (operated per ASTM B117) on standard and RAL finish options.
- RAL (RALxxxxSDCR) paint colors are Super Durable Corrosion Resistant, 80% gloss.
- Weatherproof "While in Use" covers in two sizes.

**Warranty:** Contact Factory for Warranty Information.

**Note:** Actual performance may differ as a result of end-user environment and application.

### DIMENSIONAL DATA



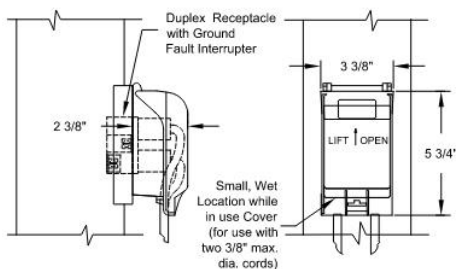
### Receptacle with Wet Location While Closed Cover

#### Specifications

A 20 amp, 125 volt, ground fault circuit interrupter duplex receptacle shall be mounted to the post. The receptacle shall be UL Listed according to E-48380 and UL 943 Class A and UL 498. The receptacle shall have a cast aluminum, lockable, UL Listed cover that is suitable for wet locations while not in use. The receptacle and cover shall mount to an outlet opening, on the post shaft, with a gasket and stainless steel screws.

Series	XXX Finish			
FG XX	BK	Black	GN	Green
	BZ	Bronze	PP	Prime Paint
	DB	Dark Blue	RALxxxxSDCR	RAL Super Durable Corrosion Resistant, 80% Gloss Paint, replace xxxx with RAL number.
	DG	Dark Green		
	GH	Graphite	SL	Silver
			WH	White

### DIMENSIONAL DATA



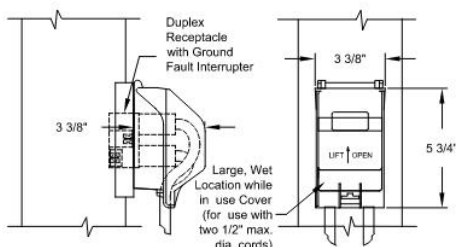
### Receptacle with Small, In-Use Wet Location Cover

#### Specifications

A 20 amp, 125 volt, ground fault circuit interrupter duplex receptacle shall be mounted to the post. The receptacle shall be UL Listed according to E-48380 and UL 943 Class A and UL 498. The receptacle shall have a cast aluminum, lockable, UL Listed cover that is suitable for wet locations while in use and complies with NEC Article 410-57(b). The cover shall accept most common cord sets up to 3/8" diameter (14/3). The receptacle and cover shall mount to an outlet opening, on the post shaft, with a gasket and stainless steel screws.

Series	XXX Finish			
FGIUS XX	BK	Black	GN	Green
	BZ	Bronze	PP	Prime Paint
	DB	Dark Blue	RALxxxxSDCR	RAL Super Durable Corrosion Resistant, 80% Gloss Paint, replace xxxx with RAL number.
	DG	Dark Green		
	GH	Graphite	SL	Silver
			WH	White

### DIMENSIONAL DATA



### Receptacle with Large, In-Use Wet Location Cover

#### Specifications

A 20 amp, 125 volt, ground fault circuit interrupter duplex receptacle shall be mounted to the post. The receptacle shall be UL Listed according to E-8380 and UL 943 Class A and UL 498. The receptacle shall have a cast aluminum, lockable, UL Listed cover that is suitable for wet locations while in use and complies with NEC Article 410-57(b). The cover shall accept most common cord sets up to 1/2" diameter (12/3). The receptacle and cover shall mount to an outlet opening, on the post shaft, with a gasket and stainless steel screws.

Series	XXX Finish			
FGIUL XX	BK	Black	GN	Green
	BZ	Bronze	PP	Prime Paint
	DB	Dark Blue	RALxxxxSDCR	RAL Super Durable Corrosion Resistant, 80% Gloss Paint, replace xxxx with RAL number.
	DG	Dark Green		
	GH	Graphite	SL	Silver
			WH	White



Holophane | 3825 Columbus Rd., Granville, OH 43023 | Phone: 866-HOLOPHANE | www.holophane.com  
 © 2010-2021 Acuity Brands Lighting, Inc. All rights reserved. Rev. 07/01/21 Specifications subject to change without notice.

POLE RECEPTACLES  
 Page 1 of 2

**WEATHERPROOF RECEPTACLES**

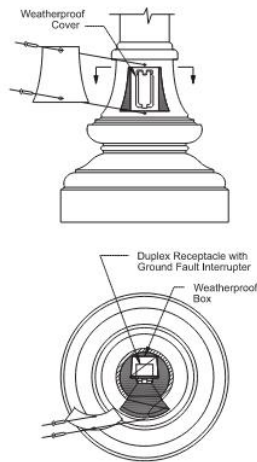
Internal, Base Location



Internal receptacles are typically installed for use by authorized personnel for special events and owner maintenance purposes.

- Ground Fault Circuit Interrupter Receptacles.
- Test/Reset buttons on face of receptacles.
- All Cast Aluminum Covers. Not Plastic.

**DIMENSIONAL DATA**



**Receptacle Located in Base**

**Specifications**

A 20 amp, 125 volt, ground fault circuit interrupter duplex receptacle shall be mounted in the post. The receptacle shall be UL Listed according to E-48380 and UL 943 Class A and UL 498. The receptacle shall have a cast aluminum, UL Listed cover that is suitable for wet locations while not in use. The receptacle shall mount to an outlet opening, in the post base, with a gasket and stainless steel screws.

Series	(No Finish on Internal Receptacle)
FGB	Note: FGB is available as option on MSA, NYA and WDA pole series.



**Structural Analysis**

According to the Standard Specifications for Structural Supports for Highway Signs, Luminaires and Traffic Signals, 2013 as published by the American Association of State Highway and Transportation Officials.

**Job Information**

Quote No.:  
 Project/Job Name: Downtown  
 Job Location: Rogers, AR  
 Dwg No:  
 Customer E-mail:  
 Wind Speed: 90  
 Gust: 102.6

**Pole Information**

Pole No.: HLA 14 SL4 10D C03 BZ ABG  
 RP49/120A  
 Total Height (in): 168  
 Material: Cast Aluminum  
 Pole Base Elevation: 0  
 Pole Weight (lbs): 133.5

**Luminaire/Arm**

Description: WAE3 P30 40K MVOLT MS GL3 BZ  
 SBR TBZ PR7 AO SH FC/  
 EPA (sq ft): 2.26  
 Vertical Offset (in): 22  
 Weight (lbs): 65  
 Horiz. Offset (in): 0  
 Torsion Offset (in): 0

**Accessories/Banner Arms/Pole Arms**

Description: FGIUS BZ FGIUS BZ  
 EPA (sq ft): 0  
 Height Above Grade (in): 168  
 Weight (lbs): 0  
 Horiz. Offset (in): 0  
 Torsion Offset (in): 0

**Pole Shaft Data**

Shaft Type: Fluted  
 Bottom Dia. (in): 5.17  
 Top Dia. (in): 5.17  
 Length (in): 126.62  
 Wall Thickness (in): 0.16  
 Allowable Strength (psi): 13500  
 CSR: 0.2

**Anchor Bolt Data**

Bolt Diameter (in): 0.75  
 Threads Per Inch: 10  
 Stress Area (sq in): 0.33  
 Yield Strength (psi): 0  
 Material:  
 Number of Bolts: 4  
 CSR: 0.28

**Pole Base Data**

Bolt Circle Dia. (in): 7  
 Allowable Strength (psi): 5000  
 CSR: 0.28

**Results**

Base Moment (ft lbs): 1815.78  
 Horizontal Shear (lbs): 217.3  
 Axial Load (lbs): 133.5  
 Shaft: PASS  
 Base: PASS  
 Anchor Bolts: PASS  
 Joining Bolts: PASS

Engineer:  
 Date: 1/10/2024 12:42:49 PM



**Job Name:** Rogers Street Dept WA March 2022  
**Quote #:** 2222-22-14077-4  
**Quote Label:** Rogers Spec  
**Job Location:** Rogers, Arkansas  
**Issue Date:** 7/18/2022

**By:** Bart Shelton  
 501-249-4756  
 Bart.Shelton@AcuityBrands.com

Type	Qty	Catalog #
A1	1	<b>FL210-800A296-P9-FP-HH-LAB-VD , WLC 96IN 1A TN BZ, C26CSBCADBH, AB-27-4 RFD233309</b> *** NOTES: - 6/27/22 PRICING BASED ON A MINIMUM QTY. OF 3. - LEVELING FITTER AND FIXTURE ARE NOT INCLUDED.  29'6" ROUND TAPERED FLUTED (16 SHARP) STEEL POLE, 8" POLE BASE DIAMETER WITH A 3"X9" TENON. FINISHED HOLOPHANE BRONZE, A VIBRATION DAMPENER IS INCLUDED.  WEST LIBERTY CAST ALUMINUM ROADWAY ARM, 96" LONG FOR MOUNTING A SINGLE FIXTURE. FINISHED HOLOPHANE BRONZE.  COLUMBIA CAST ALUMINUM CLAMSHELL BASE, 26" DIAMETER. FINISHED HOLOPHANE BRONZE.
A	1	<b>MPL3 P30S 40K MVOLT TG3 QSM BZ PR7 SH</b> Memphis Large Teardrop LED, P30 performance package, 4000K, 120-277V, Type 3 asymmetric teardrop glass and door, Quick stem mount, Bronze, 7 pin NEMA dimmable photocontrol receptacle, Shorting cap
A2	1	<b>WLDF QSM BZ</b> West Liberty decorative arm fitter, Quick stem mount, Bronze



# Submittal Spec Sheet

Dynamically Generated

Series: MPL3

## MPL3 Pendant

Memphis® Tear Drop Large Roadway LED Pendant

**Product Submittal Description:**

Memphis Large Teardrop LED, P30 performance package, 4000K, 120-277V, Type 3 asymmetric teardrop glass and door, Quick stem mount, Bronze, 7 pin NEMA dimmable photocontrol receptacle, Shorting cap



The product images shown are for illustration purposes only and may not be an exact representation of the product.

[IES Files](#)   [BIM Models](#)   [Full Spec Sheet](#)

Product Webpage: [www.acuitybrands.com/products/detail/1689771](http://www.acuitybrands.com/products/detail/1689771)

Warranty: [www.acuitybrands.com/support/warranty/terms-and-conditions](http://www.acuitybrands.com/support/warranty/terms-and-conditions)

**Model #: MPL3 P30S 40K MVOLT TG3 QSM BZ PR7 SH ✓**

Series*		Performance Package*				Color Temperature*	
MPL3	Memphis Large Teardrop LED	P10S	P10 performance package	P40S	P40 performance package	27K	2700K
		P15S	P15 performance package	P45S	P25 performance package	30K	3000K
		P20S	P20 performance package	P50S	P50 performance package	40K	4000K
		P20U	P20 performance package, uplight	P55S	P25 performance package	50K	5000K
		P25S	P25 performance package	P60S	P60 performance package		
		P25U	P25 performance package, uplight	P65S	P65 performance package		
		P30S	P30 performance package				
		P30U	P30 performance package, uplight				
		P35S	P35 performance package				
Voltage*		Optics*					
HVOLT	347-480V	BG2	Type 2 asymmetric bowl glass and door	SG3	Type 3 asymmetric sag (shallow) glass and door	TG3	Type 3 asymmetric teardrop glass and door
MVOLT	120-277V	BG3	Type 3 asymmetric bowl glass and door	SG4	Type 4 asymmetric sag (shallow) glass and door	TG4	Type 4 asymmetric teardrop glass and door
		BG4	Type 4 asymmetric bowl glass and door	SG5	Type 5 symmetric sag (shallow) glass and door		
		BG5	Type 5 asymmetric bowl glass and door	TG2	Type 2 asymmetric teardrop glass and door		
		FG3	Type 3 asymmetric flat glass and door				
		FG5	Type 5 symmetric flat glass and door				
		SG2	Type 2 asymmetric sag (shallow) glass and door				
Mounting Method*		Finish*				Photocontrol Receptacle	
NPT	1.5IN NPT pendant mount	BK	Black	RAL	RAL color	PR3	3 pin NEMA photocontrol receptacle
QSM	Quick stem mount	BZ	Bronze	SL	Silver	PR3E	3 pin NEMA photocontrol external receptacle
		CMC	Custom matched color	WH	White	PR7	7 pin NEMA dimmable photocontrol receptacle
		CTBS	Color to be selected			PR7E	7 pin NEMA dimmable photocontrol external receptacle
		DB	Dark blue				
		GH	Graphite				
		GN	Green				
		GR	Gray				
		PP	Prime paint				



One Lithonia Way Conyers, GA 30012 • Phone: 800-705-7378 • [www.acuitybrands.com](http://www.acuitybrands.com)

© 2022 Acuity Brands Lighting, Inc. All rights reserved.

Created Date: 7/18/2022 2:17 PM

Page 1 of 2



# Submittal Spec Sheet

*Dynamically Generated*

Series: MPL3

Adjustable Output		Photocontrols		Skirt		Prewire Leads	
AO	Field adjustable lumen output	P34	Solid state long life photocontrol (347V)	DS	Deep skirt, 30" diameter	L03	3ft prewire leads
		P48	Solid state long life photocontrol (480V)	SS	Short skirt, 30" diameter	L10	10ft prewire leads
		PCLL	DTL photocontrol			L1H	1.5ft prewire leads
		SH	Shoring cap			L20	20ft prewire leads
						L25	25ft prewire leads
						L30	30ft prewire leads
						L35	35ft prewire leads
Shielding (factory installed)				Label			
HSG120	Factory installed Large Sag Glass House Side Shield 120 degrees	HSS180	Factory installed Large Teardrop/Bowl/Flat Glass House Side Shield 180 degrees	NL1X1	1IN x 1IN NEMA label		
HSG180	Factory installed Large Sag Glass House Side Shield 180 degrees	HSS90	Factory installed Large Teardrop/Bowl/Flat Glass House Side Shield 90 degrees	NL3X3	3IN x 3IN NEMA label		
HSG90	Factory installed Large Sag Glass House Side Shield 90 degrees						
HSS120	Factory installed Large Teardrop/Bowl/Flat Glass House Side Shield 120 degrees						

*This is a dynamic specification sheet that is based on certain selections made by the user. All results generated are for informational purposes only. The user should validate the results with its agency sales representative to determine whether the product has been configured correctly before ordering. Acuity Brands Lighting is not responsible for any loss resulting from product configuration errors.*

*Not all versions of the product are available with all options.*

*Specifications subject to change without notice.*

*Actual performance may differ as a result of end-user environment and application.*

*All values are design or typical values, measured under laboratory conditions at 25 °C.*

*See the full specification sheet at the product page link above for full product information and detailed ordering information.*

*Certain airborne contaminants can diminish the integrity of acrylic and/or polycarbonate.*

*Visit: <http://www.acuitybrandslighting.com/library/all/documents/specsheets/acrylic-polycarbonate-compatibility.pdf> for Acrylic-Polycarbonate Compatibility table for suitable uses.*

*All trademarks referenced are property of their respective owners.*



One Lithonia Way Conyers, GA 30012 • Phone: 800-705-7378 • [www.acuitybrands.com](http://www.acuitybrands.com)

Created Date: 7/18/2022 2:17 PM

© 2022 Acuity Brands Lighting, Inc. All rights reserved.

Page 2 of 2



# Submittal Spec Sheet

Dynamically Generated

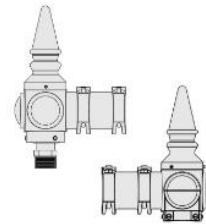
Series: WLDF

## WLDF Fitter

West Liberty decorative arm fitter (WLDF)

### Product Submittal Description:

West Liberty decorative arm fitter, Quick stem mount, Bronze



The product images shown are for illustration purposes only and may not be an exact representation of the product.

- [↓ IES Files](#)
- [↓ BIM Models](#)
- [↓ Full Spec Sheet](#)

Warranty: [www.acuitybrands.com/support/warranty/terms-and-conditions](http://www.acuitybrands.com/support/warranty/terms-and-conditions)

Model #: **WLDF QSM BZ** ✓

Series*	Mounting Method*	Finish*
<b>WLDF</b> West Liberty decorative arm fitter	NPT15R Pendant 1.50 NPT rigid	BK Black
	NPT15S Pendant 1.50 NPT swivel	BZ <b>Bronze</b>
	QSM Quick stem mount	CMC Custom matched color
		CTBS Color to be selected
	DB Dark blue	GH Graphite
	GN Green	GR Gray
	PP Prime paint	
		RAL RAL color
		SL Silver
		WH White
Photocontrol Receptacle	Photocontrols	Fitter Photocontrol Cover
PR3E 3 pin NEMA photocontrol external receptacle	P34 Solid state long life photocontrol (347V)	TPRCSAS Photocontrol cover w/spike finial, finish to be specified
PR7E 7 pin NEMA dimmable photocontrol external receptacle	P48 Solid state long life photocontrol (480V)	TPRCSBK Photocontrol cover w/spike finial, black
	PCLL DTL photocontrol	TPRCSBZ Photocontrol cover w/spike finial, bronze
	SH Shorting cap	TPRCSGN Photocontrol cover w/spike finial, green

This is a dynamic specification sheet that is based on certain selections made by the user. All results generated are for informational purposes only. The user should validate the results with its agency sales representative to determine whether the product has been configured correctly before ordering. Acuity Brands Lighting is not responsible for any loss resulting from product configuration errors.

Not all versions of the product are available with all options.

Specifications subject to change without notice.

Actual performance may differ as a result of end-user environment and application.

All values are design or typical values, measured under laboratory conditions at 25 °C.

See the full specification sheet at the product page link above for full product information and detailed ordering information.

Certain airborne contaminants can diminish the integrity of acrylic and/or polycarbonate.

Visit: <http://www.acuitybrandslighting.com/library/all/documents/specsheets/acrylic-polycarbonate-compatibility.pdf> for Acrylic-Polycarbonate Compatibility table for suitable uses.

All trademarks referenced are property of their respective owners.



One Lithonia Way Conyers, GA 30012 • Phone: 800-705-7378 • [www.acuitybrands.com](http://www.acuitybrands.com)

Created Date: 7/18/2022 2:18 PM

© 2022 Acuity Brands Lighting, Inc. All rights reserved.

Page 1 of 1



